

# CLARKE<sup>®</sup>

*air*



## 18 INCH FLOOR FAN

MODEL NO: CFF18C100

PART NO: 3231540

### OPERATION & MAINTENANCE INSTRUCTIONS

UK  
CA | CE



ORIGINAL INSTRUCTIONS

DL0622 - ISS 2

---

## **INTRODUCTION**

---

Thank you for purchasing this CLARKE 18" Floor Fan.

Before attempting to use this product, please read this manual thoroughly and follow the instructions carefully. In doing so you will ensure the safety of yourself and that of others around you, and you can look forward to your purchase giving you long and satisfactory service.

---

## **GUARANTEE**

---

This product is guaranteed against faulty manufacture for a period of 12 months from the date of purchase. Please keep your receipt which will be required as proof of purchase. This guarantee is invalid if the product is found to have been abused or tampered with in any way, or not used for the purpose for which it was intended.

Faulty goods should be returned to their place of purchase, no product can be returned to us without prior permission. This guarantee does not effect your statutory rights.

---

## **ENVIRONMENTAL RECYCLING POLICY**

---



Through purchase of this product, the customer is taking on the obligation to deal with the WEEE in accordance with the WEEE regulations in relation to the treatment, recycling & recovery and environmentally sound disposal of the WEEE.

In effect, this means that this product must not be disposed of with general household waste. It must be disposed of according to the laws governing Waste Electrical and Electronic Equipment (WEEE) at a recognised disposal facility.

# ELECTRICAL CONNECTIONS



**WARNING! READ THESE ELECTRICAL SAFETY INSTRUCTIONS THOROUGHLY BEFORE CONNECTING THE PRODUCT TO THE MAINS SUPPLY.**

Before switching the product on, make sure that the voltage of your electricity supply is the same as that indicated on the rating plate. This product is designed to operate on 230VAC 50Hz. Connecting it to any other power source may cause damage.

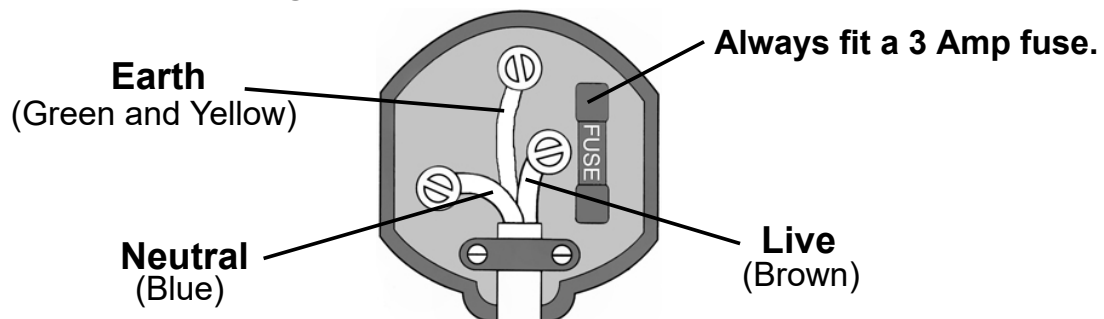
This product may be fitted with a non-rewireable plug. If it is necessary to change the fuse in the plug, the fuse cover must be refitted. If the fuse cover becomes lost or damaged, the plug must not be used until a suitable replacement is obtained.

If the plug has to be changed because it is not suitable for your socket, or due to damage, it should be cut off and a replacement fitted, following the wiring instructions shown below. The old plug must be disposed of safely, as insertion into a mains socket could cause an electrical hazard.

If the colours of the wires in the power cable of this product do not correspond with the markings on the terminals of your plug, proceed as follows.

- The wire which is coloured **Blue** must be connected to the terminal which is marked **N** or coloured **Black**.
- The wire which is coloured **Brown** must be connected to the terminal which is marked **L** or coloured **Red**.
- The wire which is coloured **Yellow and Green** must be connected to the terminal which is marked **E** or  $\perp$  or coloured **Green**.

**Plug must be BS1363/A approved.**



**Ensure that the outer sheath of the cable is firmly held by the clamp**

**We strongly recommend that this machine is connected to the mains supply via a Residual Current Device (RCD). If in any doubt, consult a qualified electrician. DO NOT attempt any repairs yourself.**

---

## **SAFETY PRECAUTIONS**

---

1. Always read the manual before use
2. Suitable for indoor use only.
3. Avoid using in dusty environments.
4. Do not use in environments containing chemical fumes etc.
5. Do not use as an extractor fan.
6. Do not use in areas of high humidity/water vapour, i.e. bathrooms etc.
7. Do not connect the fan to duct system.
8. Do not cover the fan with clothing or any material that will restrict free airflow through the fan.
9. Never touch the blades with your hand or any loose object.
10. Always unplug the fan before moving it or performing maintenance. Don't touch the fan when your hands are wet.
11. Those who are not qualified electricians should not disassemble, repair or rebuild the fan.
12. Always unplug the fan when it is not in use.
13. Never unplug the fan by holding the cable. Unplug by holding the plug.
14. Never use the fan if the cable or plug are damaged.
15. Never use the fan close to fires.
16. Do not use this fan with any solid-state speed control device to reduce the risk of fire or electric shock.

---

## **OPERATING**

---

### **TILTING THE FAN**

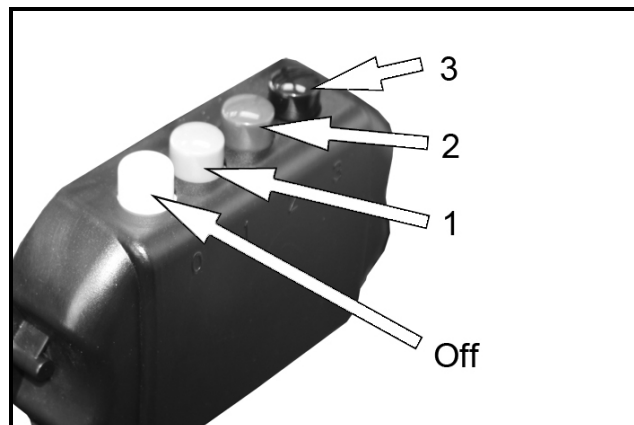
You can adjust the angle of the fan by holding the base and grille and tilting the fan to the required angle.

Tighten the nuts on the side of the fan slightly if the fan will not stay in position.

## ADJUSTING THE SPEED

Press the button on the speed regulator to select the fan speed required:

- Position 0 - Off
- Position 1 - 950 rpm
- Position 2 - 1080 rpm
- Position 3 - 1250 rpm



---

## MAINTENANCE

---

**WARNING: NEVER OPERATE THE FAN WITH THE GRILLE REMOVED.**



Have any repairs carried out by a suitably qualified person.

- The motor bearings are permanently sealed for life and do not require any additional lubrication.

## CLEANING

If the fan has been operating for long periods in a very dusty environment, the blades and motor assembly may eventually require cleaning.

1. Unplug the power cable from the power supply.

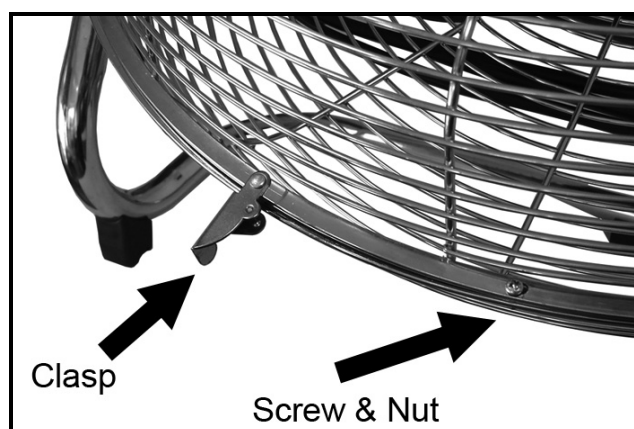
2. Unscrew the small screw and nut from the grille perimeter and release the five clasps holding the front guard in place.

- The front grille can now be lifted away.

3. Wipe the fan blades with dry cloth and remove any dust from the motor assembly with a soft brush, vacuum cleaner or jet of compressed air.

- Never use polish or any corrosive liquid that will damage the surface finish.

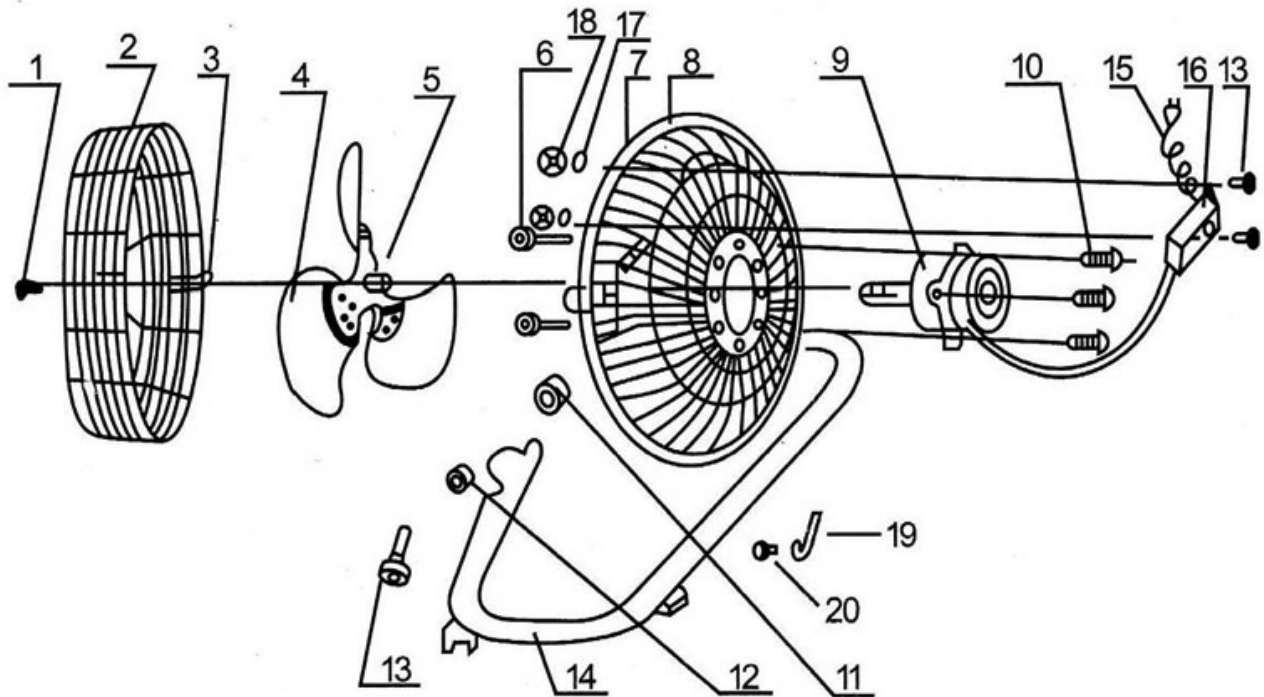
4. Replace the grille securely before use.



## SPECIFICATIONS

Voltage:	230 V AC (50Hz)
Wattage:	100 W
Fan Speeds	1=950 rpm, 2=1080 rpm, 3=1250rpm
Dimensions (D x W x H):	215 x 547 x 535 mm
Weight:	5.15 kg
Maximum Fan flow Rate (m <sup>3</sup> /min)	156.43 (m <sup>3</sup> /min)
Fan Power Input (W)	104.4 W
Service Value (m <sup>3</sup> /min) / (W)	1.50 (m <sup>3</sup> /min) / (W)
Sound Power level: dB L <sub>Wa</sub> (Directive 2009/125/EC)	65.47 dB
Maximum Air Velocity (m/ s)	4.17 m/s
Seasonal Electricity consumption (kWh/annum)	33.41 kWh/annum
Measurement standard for service value	IEC 60879:1986 (corr.1992)

# PART LIST AND DIAGRAM



No	DESCRIPTION	No	DESCRIPTION
1	Screw	11	Plastic Bearer
2	Front Grille	12	Locknut
3	Grille Clips	13	Screw
4	Blade	14	Tube Base
5	Set Screw	15	Power Cable
6	Nut	16	Control Box
7	Square Bolt	17	Washer
8	Rear Grille	18	Nuts
9	Motor	19	Hanging Hook
10	Screw	20	Screw

**When ordering spare parts, please quote the model reference KWCFF18C100 followed by the number above.**

# DECLARATION OF CONFORMITY



Hemmill Street, Epping, Essex CM16 4LG

## DECLARATION OF CONFORMITY

This is an important document and should be retained.

We hereby declare that this product(s) complies with the following statutory requirement(s):

- Electromagnetic Compatibility Regulations 2016
- Electrical Equipment (Safety) Regulations 2016
- The Restriction of the Use of Certain Hazardous Substances in Electrical and Electronic Equipment Regulations 2012
- The Ecodesign for Energy-Related Products and Energy Information (Amendment) (EU Exit) Regulations 2020

The following standards have been applied to the product(s):

- EN 55014-1:2017 + A11:2020, EN 55014-2:2015, EN IEC 61000-3-2:2019,
- EN 61000-3-3:2013 + A1:2019, EN 60335-2-80:2003 + A1:2004 + A2:2009,
- EN 60335-1:2012 + A11:2014 + A13:2017 + A14:2019 + A2:2019, EN 62233:2008
- EN 62321-3-1:2014, EN 62321-4:2014+A1:2017, EN 62321-5:2014, EN 62321-7-1:2015,
- EN 62321-7-2:2017, EN 62321-6:2015, EN 62321-8:2017, EN 60879:2019,
- EN 60704-1:2010+A11:2012, EN 60704-2-7:2020, EN 50564:2011.

The technical documentation required to demonstrate that the product(s) meet(s) the requirement(s) of the aforementioned legislation has been compiled and is available for inspection by the relevant enforcement authorities.

The UKCA mark was first applied in: 2022

**Product Description:** 18" High Velocity Chrome Floor Fan  
**Model number(s):** CFF18C100  
**Serial / batch Number:** N/A  
**Date of Issue:** 14/06/2022

Signed:

J.A. Clarke  
Director



Fitzwilliam Hall, Fitzwilliam Place, Dublin 2

## DECLARATION OF CONFORMITY

This is an important document and should be retained.

We hereby declare that this product(s) complies with the following directive(s):

- 2014/30/EU Electromagnetic Compatibility Directive.
- 2014/35/EU Low Voltage Equipment Directive.
- 2011/65/EU Restriction of Hazardous Substances Directive.
- 2009/125/EC Eco-Design Requirements Directive.

The following standards have been applied to the product(s):

- EN IEC 55014-1:2021, EN IEC 55014-2:2021, EN IEC 61000-3-2:2019+A1:2021,
- EN 61000-3-3:2013+A1:2019, EN 60335-2-80:2003+A1:2004+A2:2009,
- EN 60335-1:2012+A11:2014+A13:2017+A14:2019+A2:2019, EN 62233:2008,
- EN 62321-3-1:2014, EN 62321-4-2014+A1:2017, EN 62321-5:2014, EN 62321-7-1:2015,
- EN 62321-7-2:2017, EN 62321-6:2015, EN 62321-8:2017, EN 60879:2019,
- EN 60704-1:2010+A11:2012, EN 60704-2-7:2020, EN 50564:2011.

The technical documentation required to demonstrate that the product(s) meet(s) the requirement(s) of the aforementioned directive(s) has been compiled and is available for inspection by the relevant enforcement authorities.

The CE mark was first applied in: 2010.

**Product Description:** 18" High Velocity Chrome Floor Fan.  
**Model number(s):** CFF18C100.  
**Serial / batch Number:** N/A.  
**Date of Issue:** 14/06/2022

Signed:

J.A. Clarke  
Director